

2672. Computing eigenpair derivatives of asymmetric damped system by generalized inverse

Pingxin Wang¹, Xibei Yang², Jusheng Mi³

¹School of Science, Jiangsu University of Science and Technology, Zhenjiang, 212003, P. R. China

²School of Computer Science, Jiangsu University of Science and Technology, Zhenjiang, 212003, P. R. China

^{1,3}College of Mathematics and Information Science, Hebei Normal University, Shijiazhuang, 050024, P. R. China

¹Corresponding author

E-mail: ¹pingxin_wang@hotmail.com, ²zhenjiangyangxibei@163.com, ³mijsh@263.net

Received 6 February 2017; received in revised form 5 May 2017; accepted 16 May 2017

DOI <https://doi.org/10.21595/jve.2017.18232>



Abstract. Many existing approaches for asymmetric damped system are based on the assumption that the eigenvalues are simple or semisimple with separated derivatives. This paper presents a new algorithm for computing the derivatives of the semisimple eigenvalues and corresponding eigenvectors of asymmetric damped system. Compared with the existing methods, the algorithm can be applicable to problems whether the repeated eigenvalues have well separated derivatives. In the proposed method, the derivatives of eigenvectors are divided into a particular solution and a homogeneous solution, where the particular solution is constructed by using generalized inverse matrix. The effectiveness of the proposed algorithm is illustrated by one numerical example.

Keywords: asymmetric damped system, eigenvalues derivatives, eigenvectors derivatives, generalized inverse.

1. Introduction

In the past decades, damped system has become a topic of great interest to researchers because it arises frequently in many areas such as applied mechanics, electrical oscillation, vibro-acoustics, fluid dynamics, signal processing and so on. In this paper, we consider the equation of damped system with the following form [1]:

$$\mathbf{M}\ddot{\mathbf{q}}(t) + \mathbf{C}\dot{\mathbf{q}}(t) + \mathbf{K}\mathbf{q}(t) = \mathbf{0}, \quad (1)$$

where the matrices \mathbf{M} , \mathbf{C} and \mathbf{K} are asymmetric and damping is non-proportional.

Studies on the sensitivity analysis of damped system have widely used in damage detection [2], system identification [3], carbon nanotube vibration [4], model updating [5, 6] and many other disciplines. The fundamental objective of sensitivity analysis is to compute the derivatives of eigenvalues and eigenvectors. Research on this topic has received much attention and many different algorithms [7-18] have been developed in a recent treatise. Most of the existing algorithms can be divided into two categories. The first category is to convert the damp system to undamped system by using linearization [7-9]. The second category is to differentiate Eq. (1) and compute the derivatives of eigenvectors directly [10-18]. Although there are various algorithms for damped system, most of existing approaches are based on the assumption that the eigenvalues are simple or semisimple with separated derivatives. In order to fill this gap, Qian et al. [19] relaxed the restriction that the repeated eigenvalues must have well separated derivatives and presented a new algorithm for computing eigensensitivity of damped system by utilizing the method of [20]. By using generalized inverses, Wang and Dai [21] introduced a method for computing the first-order derivatives of eigenvalues and eigenvectors for symmetric damped system.

Different from symmetric damped system, eigenvalues of an asymmetric damped system have different right and left eigenvectors. Therefore, the eigenvectors may be not unique by one normalization. By adopting an additional normalization to guarantee the uniqueness of the

eigenvectors, we extend the method of [21] to asymmetric damped system in this paper. we derive the first-order derivatives of right and left eigenvectors regardless of whether the eigenvalues have multiple derivatives.

The structure of this paper is divided into five parts. We begin in Section 2 with a brief description of algorithm for eigenvalue derivatives, and Section 3 gives a comprehensive discussion on the derivations of the eigenvector in two cases according to whether the derivatives of the eigenvalue have multiple roots. A numerical example is presented to illustrate effectiveness of the proposed algorithm in Section 4. Section 5 concludes the paper with some final remarks.

2. Calculation of eigenvalues derivatives

We consider the damped system with parameters p . Suppose that $\lambda_i(p)$ is the eigenvalue and $\mathbf{u}_{Ri}(p), \mathbf{U}_{Li}(p)$ are the corresponding right and left eigenvectors respectively, i.e.:

$$(\lambda_i^2(p)\mathbf{M}(p) + \lambda_i(p)\mathbf{C}(p) + \mathbf{K}(p))\mathbf{u}_{Ri}(p) = 0, \tag{2}$$

$$\mathbf{U}_{Li}^T(p)(\lambda_i^2(p)\mathbf{M}(p) + \lambda_i(p)\mathbf{C}(p) + \mathbf{K}(p)) = 0, \tag{3}$$

where $\mathbf{M}(p), \mathbf{C}(p)$ and $\mathbf{K}(p) \in \mathbf{C}^{n \times n}$ are asymmetric analytic matrices and $\mathbf{M}(p)$ is nonsingular in this paper.

We consider the algorithm for eigenpair derivatives of Eq. (2) with multiple eigenvalue. For this reason, we suppose that λ_0 is the semisimple eigenvalue with multiplicity $r > 1$ at p_0 and the column vectors of $\Phi_R, \Phi_L \in \mathbf{C}^{n \times r}$ are the right and left eigenvectors respectively. From lemma 3 in Ref. [22], $\Phi_L^T(2\lambda_0\mathbf{M} + \mathbf{C})\Phi_R$ is non-singular. Without loss of generality, let Φ_L, Φ_R satisfy:

$$\Phi_L^T(2\lambda_0\mathbf{M} + \mathbf{C})\Phi_R = \mathbf{I}_r.$$

Suppose $\Lambda(p) = \text{diag}(\lambda_1(p), \dots, \lambda_r(p))$ and the eigenvector subsets:

$$\mathbf{U}_R(p) = (\mathbf{u}_{R1}(p), \dots, \mathbf{u}_{Rr}(p)), \quad \mathbf{U}_L(p) = (\mathbf{u}_{L1}(p), \dots, \mathbf{u}_{Lr}(p)),$$

are the eigenvalues functions and corresponding eigenvectors functions when p varies at the neighborhood of p_0 . Then:

$$\mathbf{M}(p)\mathbf{U}_R(p)\Lambda^2(p) + \mathbf{C}(p)\mathbf{U}_R(p)\Lambda(p) + \mathbf{K}(p)\mathbf{U}_R(p) = \mathbf{0}, \tag{4}$$

$$\Lambda^2(p)\mathbf{U}_L^T(p)\mathbf{M}(p) + \Lambda^2(p)\mathbf{U}_L^T(p)\mathbf{C}(p) + \mathbf{U}_L^T(p)\mathbf{K}(p) = \mathbf{0}, \tag{5}$$

where $\mathbf{U}_R(p), \mathbf{U}_L(p)$ satisfy:

$$\mathbf{u}_{Li}^T(p)(2\lambda_i(p)\mathbf{M}(p) + \mathbf{C}(p))\mathbf{u}_{Ri}(p) = 1, \quad (i = 1, \dots, r). \tag{6}$$

It is well known that the eigenvectors given by Eqs. (4), (5) and (6) are nonunique to the extent of a non-zero constant, and another normalized condition should imposed to result in unique eigenvectors and thereafter, for one to solve the corresponding eigenvectors derivatives. Because the mass matrix is not positive definite, the conventional mass normalization is not used. In this paper, the normalizing condition in Ref. [15] is adopted. Suppose:

$$\mathbf{u}_{Ri}(p_0) = (\mathbf{u}_{Ri_1}(p_0), \dots, \mathbf{u}_{Ri_n}(p_0))^T, \quad q_i = \min\{k | |\mathbf{u}_{Ri_k}(p_0)| = \|\mathbf{u}_{Ri}(p_0)\|_\infty\},$$

$$(i = 1, \dots, r).$$

The normalizing condition of $\mathbf{u}_{Ri}(p)$ ($i = 1, \dots, r$) is:

$$\mathbf{u}_{Riq_i}(p) \equiv 1. \tag{7}$$

Because the linear combinations of eigenvectors corresponding to eigenvalues λ_0 are also eigenvectors of λ_0 , we can express Φ_R, Φ_L by the differentiable eigenvector subset $\mathbf{U}_R(p_0), \mathbf{U}_L(p_0)$ in the following manner:

$$\mathbf{U}_R(p_0) = \Phi_R \Gamma_R, \quad \mathbf{U}_L(p_0) = \Phi_L \Gamma_L. \tag{8}$$

For the sake of simplify notation, p_0 is omitted for variables evaluated at $p = p_0$. Using Eq. (6) at $p = p_0$, we have:

$$\mathbf{U}_L^T (2\lambda_0 \mathbf{M} + \mathbf{C}) \mathbf{U}_R = \mathbf{I}_r. \tag{9}$$

Then:

$$\Gamma_L^T \Gamma_R = \Gamma_L^T \Phi_L^T (2\lambda_0 \mathbf{M} + \mathbf{C}) \Phi_R \Gamma_R = \mathbf{U}_L^T (2\lambda_0 \mathbf{M} + \mathbf{C}) \mathbf{U}_R = \mathbf{I}_r, \tag{10}$$

i.e., Γ_R is the inverse of Γ_L^T .

In order to compute Λ' and Γ_R , let $\mathbf{W} = \lambda_0^2 \mathbf{M} + \lambda_0 \mathbf{C} + \mathbf{K}$, $\mathbf{W}' = \lambda_0^2 \mathbf{M}' + \lambda_0 \mathbf{C}' + \mathbf{K}'$, where $(\cdot)'$ denotes the derivative of (\cdot) . Differentiating both sides of Eqs. (2) and (3) with respect to p and letting $p \rightarrow p_0$, one has:

$$\mathbf{W} \mathbf{U}'_R = \mathbf{F}_1, \tag{11}$$

$$\mathbf{U}'_L{}^T \mathbf{W} = \mathbf{H}_1, \tag{12}$$

where $\mathbf{F}_1 = -(2\lambda_0 \mathbf{M} + \mathbf{C}) \mathbf{U}_R \Lambda' - \mathbf{W}' \mathbf{U}_R$, $\mathbf{H}_1 = -\Lambda' \mathbf{U}_L^T (2\lambda_0 \mathbf{M} + \mathbf{C}) - \mathbf{U}_L^T \mathbf{W}'$. Premultiplying each side of Eq. (11) by \mathbf{U}_L^T one obtains:

$$\Lambda' = -\mathbf{U}_L^T \mathbf{W}' \mathbf{U}_R. \tag{13}$$

Substituting Eq. (9) into Eq. (13), we have:

$$\mathbf{D} \Gamma_R = \Gamma_R \Lambda', \tag{14}$$

where $\mathbf{D} = -\Phi_L^T \mathbf{W}' \Phi_R$. Eq. (14) shows that diagonal elements of matrix Λ' are n eigenvalues of \mathbf{D} and matrix Γ_R are corresponding right eigenvectors matrix. Hence, solving eigenproblem $\mathbf{D} \Gamma_R = \Gamma_R \Lambda'$ yields eigenvalues derivative Λ' and matrix Γ_R .

3. Calculation of eigenvectors derivatives

In this section, we will present a comprehensive discussion on the derivations of the eigenvectors according to whether the derivatives of the eigenvalues have multiple roots.

Case 1. The eigenvalues of Eq. (14) are distinct ($\lambda'_j \neq \lambda'_{(k)}, j \neq k, j, k = 1, \dots, r$). In this case, by solving Eq. (14) one can obtain the eigenvalue derivative Λ' and the corresponding eigenvector matrix Γ_R uniquely up to scalar multipliers, and then \mathbf{U}_R are determined by the relation $\mathbf{U}_R = \Phi_R \Gamma_R$ and normalizing condition Eq. (7). In order to obtain $\mathbf{U}_{R'}$, we introduce the generalized inverse matrix \mathbf{G} of matrix \mathbf{W} , i.e. \mathbf{G} satisfies $\mathbf{W} \mathbf{G} \mathbf{W} = \mathbf{W}$. Then $\mathbf{G} \mathbf{F}_1$ will be a particular solution of Eq. (11) and the general solution of Eq. (11) can be expressed as:

$$\mathbf{U}_{R'} = \mathbf{G} \mathbf{F}_1 + \Phi_R \mathbf{a}_1, \tag{15}$$

where \mathbf{a}_1 is a $r \times r$ constant matrix. Let $\mathbf{H} = 2\lambda_0 \mathbf{M} + \mathbf{C}$, $\mathbf{H}' = 2\lambda_0 \mathbf{M}' + \mathbf{C}'$, we will get another particular solution $\mathbf{U}_{R'}^{(1)}$ of Eq. (11) by taking $\mathbf{a}_1 = -\Phi_L^T \mathbf{H} \mathbf{G} \mathbf{F}_1$ in Eq. (15):

$$\mathbf{U}_R^{(1)} = (\mathbf{I}_n - \Phi_R \Phi_L^T \mathbf{H}) \mathbf{G} \mathbf{F}_1 = \mathbf{P}_L^T \mathbf{G} \mathbf{F}_1, \quad (16)$$

where $\mathbf{P}_L^T = \mathbf{I}_n - \Phi_R \Phi_L^T \mathbf{H}$. Because:

$$\begin{aligned} \mathbf{F}_1 &= -(2\lambda_0 \mathbf{M} + \mathbf{C}) \mathbf{U}_R \Lambda' - \mathbf{W}' \mathbf{U}_R = -(2\lambda_0 \mathbf{M} + \mathbf{C}) \Phi_R \Gamma_R \Lambda' - \mathbf{W}' \mathbf{U}_R \\ &= -\mathbf{W}' \mathbf{U}_R + (2\lambda_0 \mathbf{M} + \mathbf{C}) \Phi_R \Phi_L^T \mathbf{W}' \mathbf{U}_R = -(\mathbf{I}_n - \mathbf{H} \Phi_R \Phi_L^T) \mathbf{W}' \mathbf{U}_R = -\mathbf{P}_R \mathbf{W}' \mathbf{U}_R, \end{aligned}$$

where $\mathbf{P}_R = \mathbf{I}_n - \mathbf{H} \Phi_R \Phi_L^T$, then:

$$\mathbf{U}_R^{(1)} = -\mathbf{P}_L^T \mathbf{G} \mathbf{P}_R \mathbf{W}' \mathbf{U}_R = -\mathbf{G}_e \mathbf{W}' \mathbf{U}_R, \quad (17)$$

where $\mathbf{G}_e = \mathbf{P}_L^T \mathbf{G} \mathbf{P}_R$ is a restricted generalized inverse of \mathbf{W} [10], and $\mathbf{U}_R^{(1)}$ satisfies:

$$\Phi_L^T \mathbf{H} \mathbf{U}_R^{(1)} = 0. \quad (18)$$

Therefore, the solution of Eq. (11) can be written as:

$$\mathbf{U}_{R'} = \mathbf{U}_R^{(1)} + \mathbf{U}_R \mathbf{d}_1. \quad (19)$$

The computation of matrix \mathbf{d}_1 need employ the second-order differential information of Eq. (2):

$$\mathbf{W} \mathbf{U}_R'' = \mathbf{F}_2, \quad (20)$$

where:

$$\begin{aligned} \mathbf{F}_2 &= -\mathbf{W}'' \mathbf{U}_R - 2\mathbf{W}' \mathbf{U}_{R'} - \mathbf{H} \mathbf{U}_R \Lambda'' - 2\mathbf{H} \mathbf{U}_{R'} \Lambda' - 2\mathbf{H}' \mathbf{U}_R \Lambda' - 2\mathbf{M} \mathbf{U}_R (\Lambda')^2, \\ \mathbf{W}'' &= \lambda_0^2 \mathbf{M}'' + \lambda_0 \mathbf{C}'' + \mathbf{K}''. \end{aligned}$$

Premultiplying each side of Eq. (20) by \mathbf{T}_L^H , yields:

$$\Lambda'' = \mathbf{U}_L^T \mathbf{g}_2, \quad (21)$$

where $\mathbf{g}_2 = \mathbf{F}_2 + \mathbf{H} \mathbf{U}_R \Lambda''$, then:

$$\mathbf{F}_2 = \mathbf{g}_2 - \mathbf{H} \mathbf{U}_R \Lambda'' = \mathbf{g}_2 - \mathbf{H} \mathbf{U}_R \mathbf{U}_L^T \mathbf{g}_2 = (\mathbf{I}_n - \mathbf{H} \mathbf{U}_R \mathbf{U}_L^T) \mathbf{g}_2 = \mathbf{P}_R \mathbf{g}_2. \quad (22)$$

Using the similar discussion about Eq.(11), one can express the general solution of Eq. (20) as:

$$\mathbf{U}''_R = \mathbf{U}_R^{(2)} + \mathbf{U}_R \mathbf{d}_2, \quad (23)$$

where $\mathbf{U}_R^{(2)} = \mathbf{P}_L^T \mathbf{G} \mathbf{F}_2 = \mathbf{P}_L^T \mathbf{G} \mathbf{P}_R \mathbf{F}_2 = \mathbf{G}_e \mathbf{g}_2$. By the relation $\mathbf{g}_2 = \mathbf{F}_2 + \mathbf{H} \mathbf{U}_R \Lambda''$, one has:

$$\begin{aligned} \mathbf{g}_2 &= -\mathbf{W}'' \mathbf{U}_R - 2\mathbf{W}' \mathbf{U}_{R'} - 2\mathbf{H} \mathbf{U}_{R'} \Lambda' - 2\mathbf{H}' \mathbf{U}_R \Lambda' - 2\mathbf{M} \mathbf{U}_R (\Lambda')^2 = -\mathbf{W}'' \mathbf{U}_R - 2\mathbf{W}' \mathbf{U}_R \mathbf{d}_1 \\ &\quad - 2\mathbf{W}' \mathbf{U}_R^{(1)} - 2\mathbf{H} \mathbf{U}_R^{(1)} \Lambda' - 2\mathbf{H}' \mathbf{U}_R \Lambda' - 2\mathbf{M} \mathbf{U}_R (\Lambda')^2 - 2\mathbf{H} \mathbf{U}_R \mathbf{d}_1 \Lambda'. \end{aligned} \quad (24)$$

Then:

$$\mathbf{U}_R^{(2)} = \mathbf{G}_e \mathbf{g}_2 = 2\mathbf{U}_R^{(1)} \mathbf{d}_1 + \mathbf{U}_R^{(2)}, \quad (25)$$

where $\mathbf{U}_R^{(2)} = -\mathbf{W}''\mathbf{U}_R - 2\mathbf{W}'\mathbf{U}_R^{(1)} - 2\mathbf{H}\mathbf{U}_R^{(1)}\Lambda' - 2\mathbf{H}'\mathbf{U}_R\Lambda' - 2\mathbf{M}\mathbf{U}_R(\Lambda')^2$. Substituting Eq. (24) into Eq. (21), rearranging the equation yields:

$$\mathbf{d}_1\Lambda' - \Lambda'\mathbf{d}_1 + 0.5\Lambda'' = -0.5\mathbf{U}_L^T\mathbf{W}''\mathbf{U}_R - \mathbf{U}_L^T\mathbf{H}'\mathbf{U}_R\Lambda' - \mathbf{U}_L^T\mathbf{M}\mathbf{U}_R(\Lambda')^2 - \mathbf{U}_L^T\mathbf{W}'\mathbf{U}_R^{(1)} \stackrel{\text{def}}{=} (\mathbf{u}_1^{ij}). \tag{26}$$

Then we can get the off-diagonal elements of matrix \mathbf{d}_1 :

$$d_1^{ij} = \frac{u_1^{ij}}{\lambda'_j - \lambda'_i}. \tag{27}$$

The diagonal elements of \mathbf{d}_1 can be determined from Eq. (7). Let $\mathbf{U}_R = (u_{Rij})$, by Eq. (7) and Eq. (19) one has:

$$\mathbf{e}_{q_i}^T(\mathbf{U}_R^{(1)} + \mathbf{U}_R\mathbf{d}_1)\mathbf{e}_i = 0. \tag{28}$$

Then:

$$\mathbf{e}_{q_i}^T\mathbf{U}_R\mathbf{d}_1\mathbf{e}_i + \mathbf{e}_{q_i}^T\mathbf{U}_R^{(1)}\mathbf{e}_i = 0. \tag{29}$$

So:

$$d_1^{ii} = -\mathbf{e}_{q_i}^T\mathbf{U}_R^{(1)}\mathbf{e}_i - \sum_{k=1, k \neq i}^n u_{Rq_ik}d_1^{ki}. \tag{30}$$

Repeat the above process with Eq. (12), we have the derivatives of left eigenvectors:

$$\mathbf{U}_{L'} = \mathbf{U}_{L'} + \mathbf{U}_L\mathbf{b}_1, \tag{31}$$

where $\mathbf{U}_{L'} = -\mathbf{G}_e^T\mathbf{W}'^T\mathbf{U}_L$ and the off-diagonal elements of \mathbf{b}_1 can be determined by:

$$b_1^{ij} = \frac{u_2^{ji}}{\lambda'_j - \lambda'_i}, \tag{32}$$

where:

$$u_2^{ij} = -0.5\mathbf{U}_L^T\mathbf{W}''\mathbf{U}_R - \Lambda^{(1)}\mathbf{U}_L^T\mathbf{H}'\mathbf{U}_R - (\Lambda')^2\mathbf{U}_L^T\mathbf{M}\mathbf{U}_R - \mathbf{U}_L^{(1)}\mathbf{W}'^T\mathbf{U}_R.$$

Differentiating both sides of Eq. (6) and letting $p \rightarrow p_0$, we get:

$$b_1^{ii} = -\mathbf{u}_{Li}^T\mathbf{H}\mathbf{u}_{Ri} - 2\lambda'_i\mathbf{u}_{Li}^T\mathbf{M}\mathbf{u}_{Ri} - \mathbf{u}_{Li}^T\mathbf{H}'\mathbf{u}_{Ri} - \sum_{j=1, j \neq i}^r b_{ji}\mathbf{u}_{Lj}^T\mathbf{H}\mathbf{u}_{Ri}. \tag{33}$$

Then, we complete the process for computing derivatives of eigenvectors when the eigenvalues of Eq. (14) are distinct.

Case 2. Eq. (14) has repeated eigenvalues. Suppose that the eigenvalues of Eq. (14) are λ'_s with multiplicity is m_s , ($s = 1, \dots, h$), then $\sum_{s=1}^h m_s = r$. The right and left eigenvectors is defined:

$$\Gamma_R = (\Gamma_{R_1}, \Gamma_{R_2}, \dots, \Gamma_{R_h}), \quad \Gamma_L = (\Gamma_{L_1}, \Gamma_{L_2}, \dots, \Gamma_{L_h}). \tag{34}$$

Because the eigenvectors are not uniquely determined when eigenvalues have repeated roots, Γ_R and Γ_L , and then \mathbf{U}_R and \mathbf{U}_L , are not uniquely defined. Let:

$$\mathbf{U}_R = (\mathbf{U}_{R_1}, \mathbf{U}_{R_2}, \dots, \mathbf{U}_{R_h}), \quad \mathbf{U}_L = (\mathbf{U}_{L_1}, \mathbf{U}_{L_2}, \dots, \mathbf{U}_{L_h}), \quad (35)$$

$$\mathbf{U}_{R_s} = \Phi_R \Gamma_{R_s} \mathbf{Q}_{R_s}, \quad \mathbf{U}_{L_s} = \Phi_L \Gamma_{L_s} \mathbf{Q}_{L_s}, \quad (36)$$

where \mathbf{Q}_{R_s} and \mathbf{Q}_{L_s} are coefficient matrices. Dividing Eq. (26) into $m_s \times m_t$ block forms and substituting Eqs. (34) and (35) into it, one obtains:

$$((\lambda'_t - \lambda'_s) \mathbf{d}_1^{st} + 0.5 \Lambda'' \delta^{st}) = (\mathbf{U}_{R_s}^T \mathbf{A}_{2t} \mathbf{U}_{R_t}), \quad (37)$$

$$\mathbf{A}_{2t} = -0.5 \mathbf{W}'' + \mathbf{W}' \mathbf{G}_e \mathbf{W}' - \lambda'_t \mathbf{H}' - (\lambda'_t)^2 \mathbf{M}, \quad (38)$$

where:

$$\delta^{st} \stackrel{\text{def}}{=} \begin{cases} \mathbf{I}_{m_s}, & s = t, \\ \mathbf{0}_{m_s m_t}, & s \neq t, \end{cases} \quad (39)$$

$$\Lambda'' = \text{diag}(\Lambda''_1, \dots, \Lambda''_s, \dots, \Lambda''_h).$$

Premultiplying each side of Eq. (37) by \mathbf{H}_{R_s} with $s = t$, yields a standard eigenvalue problem:

$$\mathbf{A}_{2s} \cdot \mathbf{Q}_{R_s} = \mathbf{Q}_{R_s} \cdot \Lambda''_s, \quad \mathbf{A}_{2s} \stackrel{\text{def}}{=} 2 \Gamma_{L_s}^T \Phi_L^T \mathbf{A}_{2t} \Phi_R \Gamma_{R_s}, \quad s = 1, 2, \dots, h. \quad (40)$$

Suppose the eigenvalues of Eq. (40) are distinct, Λ'' and \mathbf{Q}_{R_s} are uniquely determined to the extent of a non-zero constant multiplier by Eq. (40), then $\mathbf{U}_R = (\mathbf{U}_{R_1}, \dots, \mathbf{U}_{R_h})$, $\mathbf{U}_{R_s} = \Phi_R \Gamma_{R_s} \mathbf{Q}_{R_s}$ are uniquely determined by the normalized condition Eq. (7). By the relation $\mathbf{Q}_{L_s}^T \mathbf{Q}_{R_s} = \mathbf{I}_{m_s}$, \mathbf{Q}_{L_s} are also determined, and then \mathbf{U}_L , $\mathbf{U}_R^{(1)} = -\mathbf{G}_e \mathbf{W}' \mathbf{U}_R$ are also uniquely identified by Eqs. (36) and (17). So, the result of $\mathbf{U}_{R'} = \mathbf{U}_R^{(1)} + \mathbf{U}_R \mathbf{d}_1$ also becomes determination of the off-diagonal elements of \mathbf{d}_1 because the relation Eq. (30) is also right. On both sides of Eq. (37), we take $s \neq t$:

$$\mathbf{d}_1^{st} = \frac{\mathbf{U}_{L_s}^T \mathbf{A}_{2t} \mathbf{U}_{R_t}}{\lambda'_t - \lambda'_s}, \quad s \neq t. \quad (41)$$

To extra the off-diagonal elements of \mathbf{d}_1^{ss} and use the third derivative of Eq. (2), we obtain following relation by Eqs. (17), (26), (31):

$$\mathbf{d}_2 \Lambda' - \Lambda' \mathbf{d}_2 + \mathbf{d}_1 \Lambda'' - \Lambda'' \mathbf{d}_1 + \frac{1}{3} \Lambda''' = 2\mathbf{J}(\mathbf{d}_1 \Lambda' - \Lambda' \mathbf{d}_1) - 2(\mathbf{d}_1 \Lambda' - \Lambda' \mathbf{d}_1) \mathbf{d}_1 - \mathbf{T}, \quad (42)$$

where:

$$\begin{aligned} \mathbf{T} = & \mathbf{U}_L^T \left[2\mathbf{H}' \mathbf{U}_R^{(1)} \Lambda' + \mathbf{H}'' \mathbf{U}_R \Lambda' + \mathbf{W}' \mathbf{U}_R^{(2)} + \mathbf{H}' \mathbf{U}_R \Lambda'' + 2\mathbf{M} \mathbf{U}_R^{(1)} (\Lambda')^2 \right. \\ & \left. + 2\mathbf{M}' \mathbf{U}_R (\Lambda')^2 + \mathbf{W}'' \mathbf{U}_R^{(1)} + 2\mathbf{M} \mathbf{U}_R \Lambda' \Lambda'' + \frac{1}{3} \mathbf{W}''' \mathbf{U}_R \right], \\ \mathbf{J} = & -\mathbf{U}_L^T \mathbf{H}' \mathbf{U}_R, \quad \mathbf{H}'' = 2\lambda_0 \mathbf{M}'' + \mathbf{c}'', \quad \mathbf{W}''' = \lambda_0^2 \mathbf{M}''' + \lambda_0 \mathbf{c}''' + \mathbf{k}'''. \end{aligned}$$

Taking out the diagonal block equation, one has:

$$\mathbf{d}_1^{ss} \Lambda_s'' - \Lambda_s'' \mathbf{d}_1^{ss} + \frac{1}{3} \Lambda_s''' = -\mathbf{T}^{ss} + 2 \sum_{t \neq s}^k (\lambda_t' - \lambda_s') (\mathbf{J}^{st} + \mathbf{d}_1^{st}) \mathbf{d}_1^{ts} \stackrel{\text{def}}{=} (\mathbf{v}_s^{ij}). \quad (43)$$

Then:

$$\left(\lambda_{sj}'' - \lambda_{si}'' \right) \mathbf{d}_{1ij}^{ss} + \frac{1}{3} \lambda_{si}''' \delta_{ij} = \mathbf{v}_s^{ij}, \quad (44)$$

where λ_{sj}'' is the j th diagonal element of Λ_s'' . From Eq. (44), one has:

$$\lambda''' = 3v_s^{ii}, \quad i = 1, 2, \dots, m_s, \quad s = 1, 2, \dots, k, \quad d_{1ij}^{ss} = \frac{v_s^{ij}}{\lambda_{sj}'' - \lambda_{si}''}, \quad i \neq j. \quad (45)$$

The derivatives of left eigenvectors can be computed by similar method. Then, we complete the process of computing the derivatives of eigenvectors in two cases. Formally, an algorithm based on the above procedure can be designed as following.

Algorithm procedure for computing the eigenpair derivatives:

Step 1. Input: Matrices \mathbf{M} , \mathbf{C} , \mathbf{K} and the first to third order derivatives of \mathbf{M} , \mathbf{C} , \mathbf{K} , the repeated eigenvalue λ_0 and corresponding right and left normalized eigenvectors matrices Φ_R , $\Phi_L \in \mathbb{C}^{n \times r}$.

Step 2. Compute:

$$\begin{aligned} \mathbf{W} &= \lambda_0^2 \mathbf{M} + \lambda_0 \mathbf{C} + \mathbf{K}, \\ \mathbf{W}' &= \lambda_0^2 \mathbf{M}' + \lambda_0 \mathbf{C}' + \mathbf{K}', \\ \mathbf{H} &= 2\lambda_0 \mathbf{M} + \mathbf{C}, \\ \mathbf{D} &= -\Phi_L^T \mathbf{W}' \Phi_R. \end{aligned}$$

The generalized inverse \mathbf{G} of \mathbf{W} and $\mathbf{G}e = (\mathbf{I} - \Phi_R \Phi_L^T \mathbf{H}) \mathbf{G} (\mathbf{I} - \mathbf{H} \Phi_R \Phi_L^T)$.

Step 3. Obtain the eigenvalue derivatives Λ_i' by computing the eigenproblem $\mathbf{D}\Gamma_R = \Gamma_R \Lambda'$.

Step 4. When the eigenvalue derivatives λ_i' are distinct, then obtain \mathbf{U}_R , \mathbf{U}_L and $\mathbf{U}_R^{(1)}$ by Eqs. (8) and (17), then get \mathbf{d}_1 , by Eqs. (29) and (32).

Step 5. If the eigenvalues of $\mathbf{D}\Gamma_R = \Gamma_R \Lambda'$ have repeated roots, calculate:

$$\begin{aligned} \mathbf{A}_{2t} &= -0.5 \mathbf{W}'' + \mathbf{W}' \mathbf{G}_e \mathbf{W}' - \lambda_t' \mathbf{H}' - (\lambda_t')^2 \mathbf{M}, \\ \mathbf{A}_{2s} &\stackrel{\text{def}}{=} 2\Gamma_{L_s}^T \Phi_L^T \mathbf{A}_{2t} \Phi_R \Gamma_{R_s}, \quad s = 1, 2, \dots, h. \end{aligned}$$

Solve the eigenproblem $\mathbf{A}_{2s} \cdot \mathbf{Q}_{R_s} = \mathbf{Q}_{R_s} \cdot \Lambda_s''$, compute \mathbf{U}_R , \mathbf{U}_L and $\mathbf{U}_R^{(1)}$ by Eqs. (35) and (17) and \mathbf{d}_1 , by Eqs. (41) and (45), (30).

Step 6. Calculate $\mathbf{U}_{R'} = \mathbf{U}_R^{(1)} + \mathbf{U}_R \mathbf{d}_1$.

Step 7. Output: Λ_i' , \mathbf{U}_R' .

The computational cost of the Algorithm is $O(n^3)$, where the generalized inverse \mathbf{G} of matrix \mathbf{W} is calculated by the singular value decomposition of \mathbf{W} .

4. Numerical illustration

To illustrate the effectiveness of the proposed algorithm, we carried out one numerical example shown in Fig. 1. All the following calculations used MATLAB2015b.

In Fig. 1, there are five springs, four damping and three disks. In order to obtain asymmetric damped system, we suppose that the system is rotated with high speed in a container. From Fig. 1, we can get the mass, stiffness and damping matrices of the system:

$$\mathbf{M} = \begin{pmatrix} m_1 & 0 & 0 \\ 0 & m_2 & 0 \\ 0 & 0 & m_3 \end{pmatrix}, \quad \mathbf{K} = \begin{pmatrix} k_1 + k_2 & -k_2 & 0 \\ -k_2 & k_2 + k_3 + k_5 & -k_3 \\ 0 & -k_3 & k_3 + k_4 \end{pmatrix}, \quad (46)$$

$$\mathbf{D} = \begin{pmatrix} c + c_2 + c_3 & -c & -c_2 \\ -c & 2c + c_1 & -c \\ -c_2 & -c & 2c + c_2 \end{pmatrix}.$$

We assume that the system has the following gyroscopic matrix:

$$\mathbf{G} = \begin{pmatrix} 0 & -2c & -c_2 \\ 2c & 0 & -c \\ c_2 & -c & 0 \end{pmatrix}. \quad (47)$$

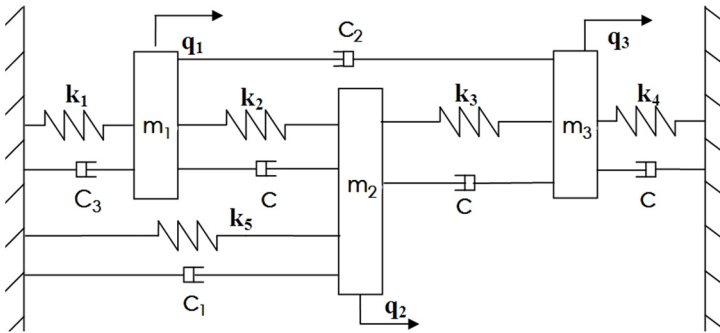


Fig. 1. An asymmetric damped system

Then, we can get the damped matrix of the asymmetric system by the relation:

$$\mathbf{C} = \mathbf{D} + \mathbf{G} = \begin{pmatrix} c + c_2 + c_3 & -3c & -2c_2 \\ c & 2c + c_1 & -2c \\ 0 & 0 & 2c + c_2 \end{pmatrix}. \quad (48)$$

Setting $m_1 = m_2 = m_3 = 1$ kg, $k_1 = k_4 = k_5 = 1000$ N/m, $k_2 = k_3 = 0$ N/m, $c_1 = c_2 = c_3 = 10$ N s/m. We select c as the design parameter and consider $c_0 = 0$. Then:

$$\mathbf{M} = \begin{pmatrix} 1 & 0 & 0 \\ 0 & 1 & 0 \\ 0 & 0 & 1 \end{pmatrix}, \quad \mathbf{K} = \begin{pmatrix} 1000 & 0 & 0 \\ 0 & 1000 & 0 \\ 0 & 0 & 1000 \end{pmatrix}, \quad \mathbf{C} = \begin{pmatrix} c + 20 & -3c & -20 \\ c & 2c + 10 & -2c \\ 0 & 0 & 2c + 10 \end{pmatrix}, \quad (49)$$

$$\mathbf{M}' = \mathbf{K}' = 0, \quad \mathbf{C}' = \begin{pmatrix} 1 & -3 & 0 \\ 1 & 2 & -2 \\ 0 & 0 & 2 \end{pmatrix}.$$

The eigenvalues of the damped system are $\lambda_1 = \lambda_2 = -5 - 31.225i$ at $p = 0$ and the corresponding eigenvectors are:

$$\Phi_R = \begin{pmatrix} 1 & 0 \\ 1 & 1 \\ 0.5 & 0 \end{pmatrix}, \quad \Phi_L = \begin{pmatrix} 0 & 0 \\ 0 & 0.0160i \\ 0.0320i & -0.0320i \end{pmatrix}. \quad (50)$$

By Eq. (12) we have:

$$\Lambda' = \begin{pmatrix} -1.0000 + 0.1601i & 0 \\ 0 & -1.0000 + 0.1601i \end{pmatrix}, \quad \Gamma_R = \Gamma_L = \begin{pmatrix} 1 & 0 \\ 0 & 1 \end{pmatrix}. \quad (51)$$

This means the derivatives of eigenvalues are equal. Using Eq. (40), we get:

$$\Lambda'' = \begin{pmatrix} 0 + 0.0328i & 0 \\ 0 & -0.3000 + 0.0809i \end{pmatrix}. \tag{52}$$

Then we derive the adjacent right and eigenvectors \mathbf{U} , \mathbf{V} and the right eigenvectors derivatives \mathbf{U}'_R as following:

$$\mathbf{U} = \begin{pmatrix} 0 & 1 \\ 1 & -0.3333 \\ 0 & 0.5 \end{pmatrix}, \quad \mathbf{V} = \begin{pmatrix} 0 & 0 \\ 0.1601i & 0 \\ 0.0107i & 0.0320i \end{pmatrix}, \quad \mathbf{U}'_R = \begin{pmatrix} 0.3000 & 0 \\ 0 & 0 \\ 0 & 0 \end{pmatrix}. \tag{53}$$

To examine the correctness of the above results, we give the parameter c a small perturbation $\Delta c = 0.1$. We compute the eigenpair of perturbed system at $c = c_0 + \Delta c$ and compare the result with the linear approximation of perturbed system by Taylor series. Table 1 and Table 2 show the comparisons of the eigenvalues and eigenvectors.

Table 1. Comparison of eigenvalues

Original eigenvalue	Approximated eigenvalues	Perturbed eigenvalues	Errors
$-5-31.225i$	$-5.1-31.2088i$	$-5.1-31.2088i$	$8.5e-8$
	$-5.1015-31.2086i$	$-5.1015-31.2086i$	$1.5e-5$

Table 2. Comparison of right eigenvectors

Original eigenvectors	Approximated eigenvectors	Perturbed eigenvectors	Errors
1.0000	1.0000	1.0000	0
-0.3333	-0.3333	-0.3333	$8e-14$
5000	0.5000	0.5000	0
0	0.0300	0.0303	$3e-4$
1.0000	1.0000	1.0000	0
0	0	0	$3e-11$

5. Conclusions

Derivatives of eigenvalues and eigenvectors of parameter-dependent matrix eigenproblems play a key role in the optimum design of structures in engineering. In this paper, we extend the method of [21] to asymmetric damped system and develop a numerical algorithm for computing the eigenpair derivatives by adopting a new normalization to guarantee the uniqueness of the eigenvectors. The proposed algorithm divides the eigenvectors derivatives into a particular solution and a homogeneous solution, where the particular solution to the governing equations is constructed by using the generalized inverse matrix. The present study is the first step for the research of eigensensitivity of damped systems. The higher order derivatives of eigenvalues and eigenvectors will be challenges for further research.

Acknowledgements

This work was supported by National Natural Science Foundation of China (Nos. 61503160, 11571171 and 61572242) and Natural Science Foundation of the Jiangsu Higher Education Institutions of China (No. 15KJB110004).

References

- [1] **Wang P. X., Dai H.** Calculation of eigenpair derivatives for asymmetric damped systems with distinct and repeated eigenvalues. *International Journal for Numerical Methods in Engineering*, Vol. 103, 2015, p. 501-515.
- [2] **Messina A., Williams E. J., Contursi T.** Structural damage detection by a sensitivity and statistical-based method. *Journal of Sound and Vibration*, Vol. 216, 1998, p. 791-808.

- [3] **Adhikari S.** *Structural Dynamics with Generalized Damping Models: Identification.* Wiley-ISTE, 2013.
- [4] **Yayli M. O.** A compact analytical method for vibration analysis of single-walled carbon nanotubes with restrained boundary conditions. *Journal of Vibration and Control*, Vol. 22, 2016, p. 2542-2555.
- [5] **Yuan Y. X., Liu H.** An iterative method for solving finite element model updating problems. *Applied Mathematical Modelling*, Vol. 35, 2011, p. 848-858.
- [6] **Friswell M. I., Mottershead J. E.** *Finite Element Model Updating in Structural Dynamics.* Kluwer Academic, Norwell, 1995.
- [7] **Brandon J. A.** Second-order design sensitivities to assess the applicability of sensitivity analysis. *AIAA Journal*, Vol. 29, 1991, p. 135-139.
- [8] **Zeng Q. H.** Highly accurate modal method for calculating eigenvector derivative in viscous damping systems. *AIAA Journal*, Vol. 32, 1994, p. 746-751.
- [9] **Liu X. B.** A new method for calculating derivatives of eigenvalues and eigenvectors for discrete structural systems. *Journal of Sound and Vibration*, Vol. 332, 2013, p. 1859-1867.
- [10] **Tang J., Ni W. M., Wang W. L.** Eigensolutions sensitivity for quadratic eigenproblems. *Journal of Sound and Vibration*, Vol. 196, 1996, p. 179-188.
- [11] **Adhikari S.** Rates of change of eigenvalues and eigenvectors in damped dynamic systems. *AIAA Journal*, Vol. 37, 1999, p. 1452-1458.
- [12] **Adhikari S., Friswell M. I.** Eigenderivative analysis of asymmetric non-conservative systems. *International Journal for Numerical Methods in Engineering*, Vol. 51, 2001, p. 709-733.
- [13] **Choi K. M., Jo H. K., Kim W. H., Lee I. W.** Sensitivity analysis of non-conservative eigensystems. *Journal of Sound and Vibration*, Vol. 274, 2004, p. 997-1011.
- [14] **Guedria N., Smaoui H., Chouchane M.** A direct algebraic method for eigensolution sensitivity computation of damped asymmetric systems. *International Journal for Numerical Methods in Engineering*, Vol. 68, 2006, p. 674-689.
- [15] **Xie H. Q., Dai H.** Derivatives of repeated eigenvalues and corresponding eigenvectors of damped systems. *Applied Mathematics and Mechanics (English Edition)*, Vol. 28, 2007, p. 837-845.
- [16] **Xie H. Q., Dai H.** Calculation of derivatives of multiple eigenpairs of unsymmetrical quadratic eigenvalue problems. *International Journal of Computer Mathematics*, Vol. 85, 2008, p. 1815-1831.
- [17] **Wang P. X., Dai H.** Eigensensitivity analysis for symmetric nonviscously damped systems with repeated eigenvalues. *Journal of Vibroengineering*, Vol. 16, 2014, p. 4065-4076.
- [18] **Wang P. X., Dai H.** Calculation of eigenpair derivatives for symmetric quadratic eigenvalue problem with repeated eigenvalues. *Computational and Applied Mathematics*, Vol. 35, 2016, p. 17-28.
- [19] **Qian J., Andrew A. L., Chu D., Tan R. C. E.** Computing derivatives of repeated eigenvalues and corresponding eigenvectors of quadratic eigenvalue problems. *SIAM Journal on Matrix Analysis and Applications*, Vol. 34, 2013, p. 1089-1111.
- [20] **Andrew A. L., Tan R. C. E.** Computation of derivatives of repeated eigenvalues and the corresponding eigenvectors of symmetric matrix pencils. *SIAM Journal on Matrix Analysis and Applications*, Vol. 20, 1989, p. 78-100.
- [21] **Wang P. X., Dai H.** Eigensensitivity of symmetric damped systems with repeated eigenvalues by generalized inverse. *Journal of Engineering Mathematics*, Vol. 96, 2015, p. 201-210.
- [22] **Andrew A. L., Chu K. W. E., Lancaster P.** Derivatives of eigenvalues and eigenvectors of matrix functions. *SIAM Journal on Matrix Analysis and Applications*, Vol. 14, 1993, p. 903-926.



Pingxin Wang received the Master's degree in Nanjing University of Science and Technology, Nanjing, Chin, and his Ph.D. degrees in computational mathematics from Nanjing Nanjing University of Aeronautics and Astronautics (NUAA), Nangjing, China. His current research interests include matrix analysis and sensitivity analysis.



Xibei Yang received the Master's degree in Jiangsu University of Science and Technology, Zhenjiang, China, and his Ph.D. degrees in computer science and engineering from Nanjing University of Science and Technology, Nanjing, China. His current research interests include granular computing and rough set.



Jusheng Mi received the Master's degree in East China Normal University, Shanghai, China, and his Ph.D. degrees in mathematics from Xi'an Jiaotong University, Xi'an, China. His current research interests include granular computing and rough set.